

3-axis PoE Vandal proof IP Dome Camera

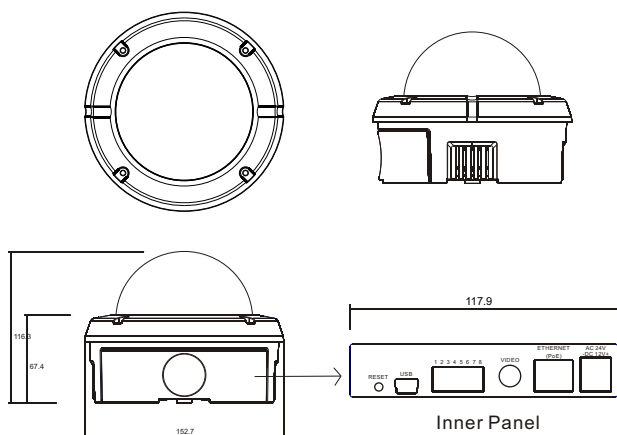
LC-7233H

APPRO's LC-7233H is a 3-axis IP dome camera with a vandal proof body for day and night surveillance. With the specific 3-axis mechanical design, this dome camera provides a flexible installation for ceiling or wall mounting and wide angled viewing which pans 360° and tilts 180°.

The LC-7233H provides a dual video stream in the MJPEG and MPEG4 formats with up to 30 fps for real-time images. The built-in Web server supports remote monitoring and control via local area network or the Internet. With the built-in IR lights, this camera captures vivid imaging for nighttime condition. In addition, the LC-7233H supports PoE function, built-in motion detection, and alarm notification by SD card (SDHC, up to 32GB) or one alarm output.

APPRO also provides a free bundle recording software for video management. APPRO's LC-7233H is a feature-packed IP dome camera for indoor surveillance, which enables you to meet your security demands.

Dimensions



Features

- Selectable MJPEG / MPEG4 video compression.
- 1/3" Sony Super HAD CCD.
- Built-in motion detection.
- IR distance: 20M.
- Built-in Web server.
- Pre-alarm: 100 pictures.
- Supports upgrading by SD card / USB / FTP.
- Free bundle recording software.
- Selectable dome choice: tinted or transparent.

